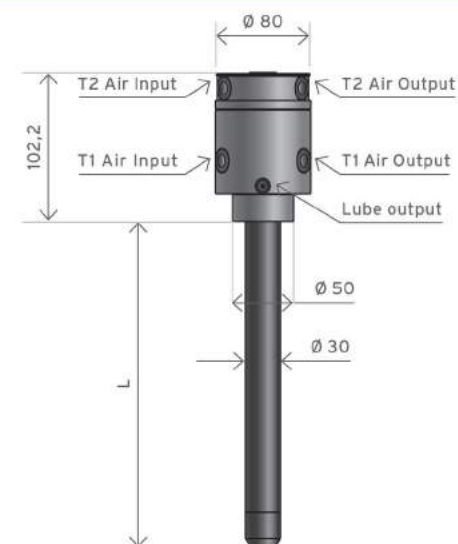


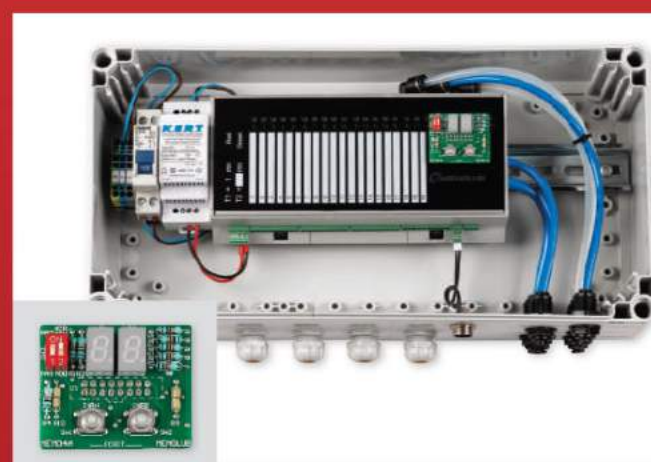
DECENTRALIZED LUBRICATION SYSTEM

- multi-setting dosing pump
- preserving lubricant performance
- low pressure lubrication system
- simplified installation use
- for all types of industries
- guaranteed return on investment



Dosing Pump

Technical data		Pump 18 kg	Pump 50 kg
Pump ratio		22/1	22/1
Input air pressure	bar	6	6
T1 / T2 thread	BSP	F 1/4"G	F 1/4"G
T1 tubing	mm	$\varnothing 6 - 8$	$\varnothing 6 - 8$
T2 tubing	mm	$\varnothing 4 - 6$	$\varnothing 4 - 6$
Lube output thread	BSP	F 1/8"G	F 1/8"G
Diameter rod	mm	$\varnothing 30$	$\varnothing 30$
Expulsion per stroke	cm ³	4,2	4,2
Length rod (L)	mm	450	700
Packaging / container	kg	18-30 kg	50-60 kg
Weight dosing pump	kg	5,10 kg	6,50 kg



Decentralized Electronic Box

Box: 2 versions	24 VDC / 220 VAC 50Hz
Box dimensions	400 x 200 x 132 mm
Supply voltage	24 DC / 240 VAC - 0.55A max
Electric circuit protection	Breaker 6A
Electric cable for 240VAC	3G1.5 type H07RNF (a)
Pneumatic input	6 bar
Operating temperature	-20°C to +55°C (-4°F to 131°F)
Air output - transfer tube	8 mm
Air output - expulsion tube	6 mm
Weight electronic box	1 kg

Pump Installation accessories (kit)



Follower plate



YOUR DISTRIBUTOR

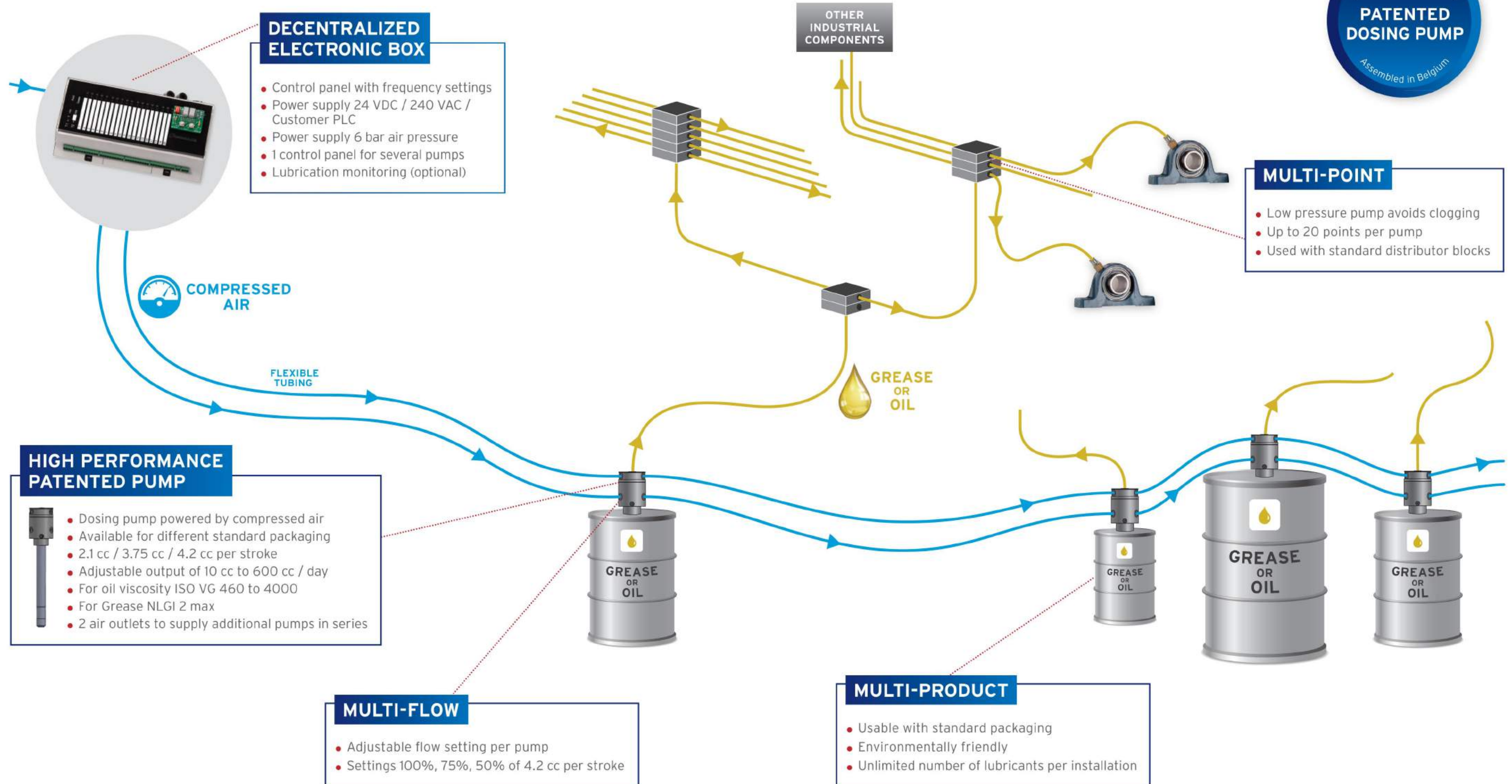
Systematic Lubrication Solutions

Systematic Lubrication Solutions Pty Ltd

Unit 7/28 Glastonbury Ave,
Unanderra, NSW, 2526

T: +61 2 4272 4614
Reception@slsolutions.com.au

Multi-point automatic lubrication system, with adjustable flow, suitable for one or several lubricants simultaneously



DECENTRALIZED ELECTRONIC BOX

- Control panel with frequency settings
- Power supply 24 VDC / 240 VAC / Customer PLC
- Power supply 6 bar air pressure
- 1 control panel for several pumps
- Lubrication monitoring (optional)

MULTI-POINT

- Low pressure pump avoids clogging
- Up to 20 points per pump
- Used with standard distributor blocks

HIGH PERFORMANCE PATENTED PUMP

- Dosing pump powered by compressed air
- Available for different standard packaging
- 2.1 cc / 3.75 cc / 4.2 cc per stroke
- Adjustable output of 10 cc to 600 cc / day
- For oil viscosity ISO VG 460 to 4000
- For Grease NLGI 2 max
- 2 air outlets to supply additional pumps in series

MULTI-FLOW

- Adjustable flow setting per pump
- Settings 100%, 75%, 50% of 4.2 cc per stroke

MULTI-PRODUCT

- Usable with standard packaging
- Environmentally friendly
- Unlimited number of lubricants per installation

COMPRESSED AIR

FLEXIBLE TUBING

OTHER INDUSTRIAL COMPONENTS

GREASE OR OIL

GREASE OR OIL

GREASE OR OIL

GREASE OR OIL

GREASE OR OIL

Memolub DS[®], the low pressure system that preserve lubricant performance

An innovative product for multiple sectors

LOW PRESSURE LUBRICATION SYSTEM

- Low pressure system - installation with flexible tubes
- Designed to prevent lubricants deterioration
- Reduced installation cost
- Clogging risk reduction
- Low maintenance cost

LUBRICANT FRIENDLY

- System adapted to lubricants constraints
- Suitable for all quality greases and oils
- Multi function monitoring system
- Compatible with standard packaging

UNMATCHED PERFORMANCE

- Decentralized and secured electronic system for several pumps
- 1 system, several types of lubricants
- Up to 20 lube points per pump

ECONOMIC - COST EFFECTIVE

- Low energy consumption
- Inexpensive installation
- Low maintenance cost

INDUSTRIAL COMPONENTS



BEARINGS



CHAINS



GEARS



BALL SCREW



Aerospace



Food



Automotive



Wood



Chemical & plastics



Cement / Quarries



Energy / Wind



Environment



Naval



Port facilities



Mechanical



Paper / Cardboard



Pharmaceutical



Steel industry /Metal



Textile



Glass

APPLICATIONS



CONVEYOR BELT



ROLLING MILL



INCINERATOR



OVEN